

### Product Features

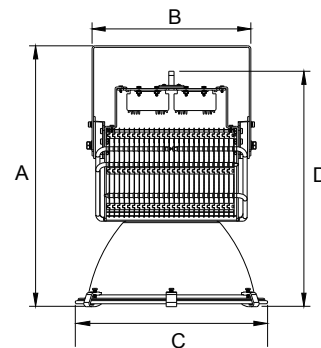
- H Plus-Series Utility Bay Light can be used in Warehouse, Sports Stadium, Logistic Center, Factories, etc. It is equivalent to 750W - 1000W HPS luminaire
- For applications with ceiling heights of **25 - 60 ft**
- 4 Patented technology: HDT, FIN Fastening, Zipped-fins, Seamless Fitting
- 18 degree increment, 11 lockable positions, overall 170 degree adjustability
- 60° Standard Beam Distribution, Option available: 25°, 40°, 90°
- Yoke Mount bracket included with fixture
- Chain mount adapter included
- Factory pre-treated and powder-coated to meet the most rugged industry standards
- Built-in surge protection up to 4kV
- IP65 Rated suitable for outdoor / wet application
- UL / cUL Listed

### Application

Warehouse Lighting, Workshop Lighting, Factories, Auto Maintenance, Commercial Lighting

### Specifications

Input Voltage	AC 110~277V, 347V, 480V
Frequency	50~60HZ
Color Temperature	5000K, 4000K
Efficacy	108 lm/W*
Color Rendering Index	75
Distribution	25° / 45° / 60° / 90°
IP Rating	IP65
Operating Temperature	-30°C~+55°C
Life Span	50,000 hrs
Dimming	1-10V (Optional)



### Dimensions

Power	A	B	C	D
400W	497±5mm (19.57"±0.2")	303mm (11.93")	374±5mm (14.72"±0.2")	448mm (17.64")

Power	A	B	C	D
500W	497±5mm (19.57"±0.2")	303mm (11.93")	374±5mm (14.72"±0.2")	448mm (17.64")

### Order Code ( Example: HP-4005090-CYMBKUD)

Part #	Wattage	CCT	Distribution	Mounting	Finish	Input Voltage & Dimming
<b>HP</b>	<b>400</b> - 400W (40500lm) <b>500</b> - 500W (58000lm)	<b>50</b> - 5000K <b>40</b> - 4000K	<b>25</b> - 25° <b>45</b> - 45° <b>60</b> - 60° <b>90</b> - 90°	<b>YM</b> - Yoke Mount	<b>BK</b> - Black	<b>U</b> - 110-277V <b>UD</b> - 110-277V & 1-10V Dimming <b>H</b> - 347V, 480V

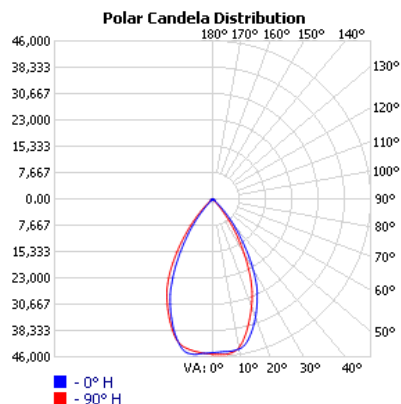
Specifications are subject to change without notice  
\*Lumen per Watt: 400W 100lm/W, 500W 118lm/w

Rev. 030718

**PHOTOMETRICS**

HP-40050, 40478.3 delivered lumens, tested by KOMEE photometric lab, tested in accordance to IESNA LM-79

**POLAR GRAPH**



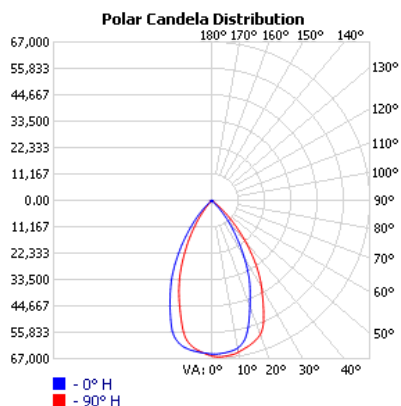
**LUMENS PER ZONE**

**ZONAL LUMEN SUMMARY**

ZONE	LUMENS	% LAMP	% LUMINAIRE
0-30	28,949.4	0.4%	71.5%
0-40	37,581.1	0.5%	92.8%
0-60	40,230.2	0.6%	99.4%
60-90	248.1	0%	0.6%
0-90	40,478.3	0.6%	100%

HP-50050, 57773.0 delivered lumens, tested by KOMEE photometric lab, tested in accordance to IESNA LM-79

**POLAR GRAPH**



**LUMENS PER ZONE**

**ZONAL LUMEN SUMMARY**

ZONE	LUMENS	% LAMP	% LUMINAIRE
0-30	40,557.5	70.2%	70.2%
0-40	53,105.3	91.9%	91.9%
0-60	57,568.0	99.6%	99.6%
60-90	204.9	0.4%	0.4%
0-90	57,773.0	100%	100%