

### Product Features

- Q-Series High Power Floodlight features 500W, the output is equivalent to 1,000W HID Floodlight
- The housing, electrical compartment and fitter are made from tensile aluminum. Patented heatsink design adopts pure copper and cooling fins for excellent thermal management and luminaire durability
- Exterior of the luminaire is processed with electrophoretic paint and have passed salt water spray test which shows excellent corrosion resistance
- 4mm tempered glass panel sealed in with compressed fiber gasket to block away any moisture or dust
- 20 degree increment, 11 lockable positions, overall 200 degree adjustability
- IP65 Rated suitable for outdoor / wet application
- UL / cUL Listed

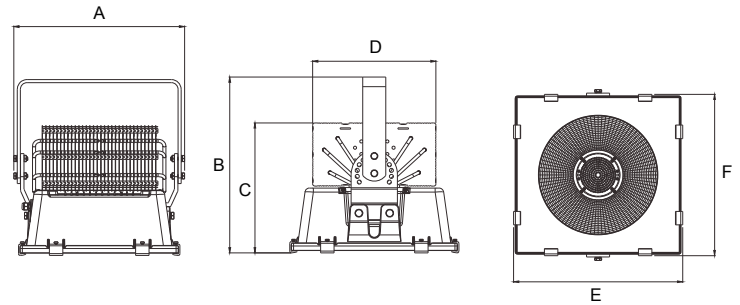


### Application

Logistic Center, Container Yard, Stadium,  
Golf Course, Exhibition Hall

### Specifications

Input Voltage	AC 110~277V, 347V, 480V
Frequency	50~60HZ
Color Temperature	5000K, 4000K
Efficacy	95 lm/W
Color Rendering Index	75
Distribution	90°*
IP Rating	IP65
Operating Temperature	-30°C~+55°C
Life Span	50,000 hrs



### Dimensions & EPA

Power	A	B	C	D	E	F	EPA
500W	443mm (17.44")	456mm (17.95")	337mm (13.27")	320mm (12.60")	439mm (17.28")	419mm (16.50")	2.28 ft <sup>2</sup>

Order Code ( Example: Q-5005090-CYMBKU )

Part #	Wattage	CCT	Distribution	Lens	Mounting	Finish	Input
<b>Q</b>	<b>500 - 500W</b>	<b>50 - 5000K 40 - 4000K</b>	<b>90 - 90°</b>	<b>C - Clear</b>	<b>YM - Yoke Mount</b>	<b>BK - Black</b>	<b>U - 110-277V H - 347V, 480V</b>

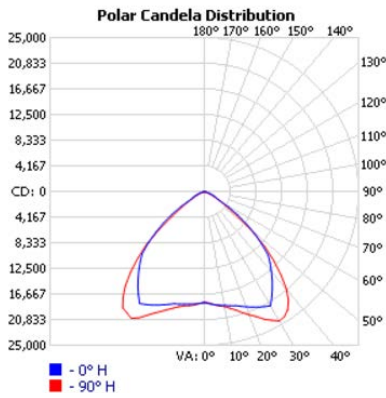
\*Other distribution pattern available, consult factory.  
Specifications are subject to change without notice.

Rev.030818

## PHOTOMETRICS

**KMQ-5005090-CYMBKU**, 48598.1 delivered lumens, tested by KOMEE photometric lab, tested in accordance to IESNA LM-79

### POLAR GRAPH



### CONE DIAGRAM at 48 Ft

ILLUMINANCE AT A DISTANCE			
HEIGHT(FT)	CENTER BEAM	BEAM SPREAD(FT)	
	FOOTCANDLE	HORIZONTAL	VERTICAL
<b>8.0</b>	281.7 FC	17.9	12.6
<b>16.0</b>	70.4 FC	35.9	25.2
<b>24.0</b>	31.3 FC	53.8	37.8
<b>32.0</b>	17.6 FC	71.8	50.4
<b>40.0</b>	11.3 FC	89.7	63.0
<b>48.0</b>	7.8 FC	107.6	75.6
BEAM ANGLE			
		96.5°	76.5°

### LUMENS PER ZONE

ZONAL LUMEN SUMMARY			
ZONE	LUMENS	% LAMP	% LUMINAIRE
0-30	17,333.3	35.7%	35.7%
0-40	30,522.9	62.8%	62.8%
0-60	46,878.4	96.5%	96.5%
60-90	1,719.4	3.5%	3.5%
0-90	48,597.8	100%	100%